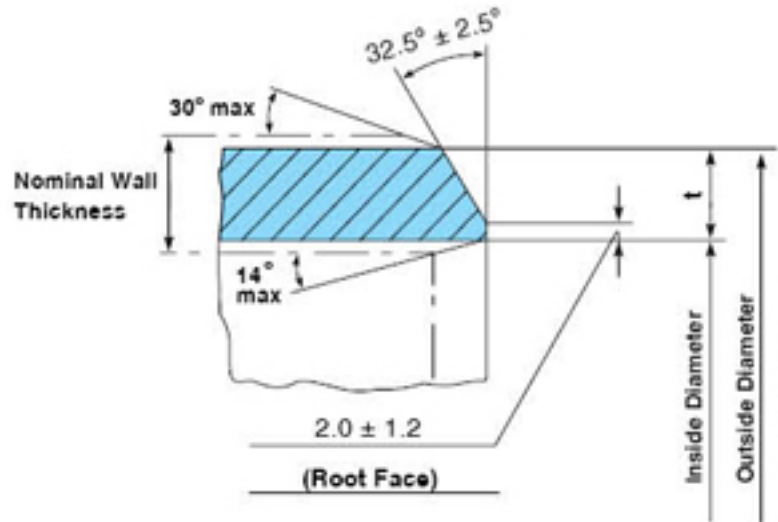
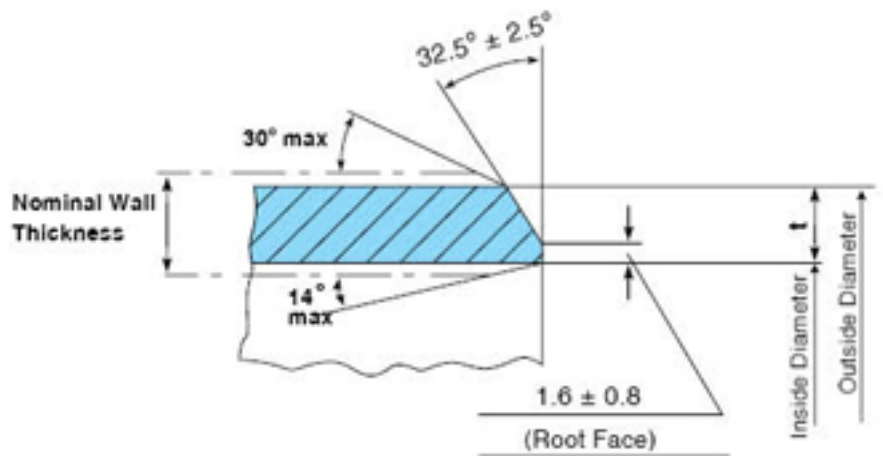


STEEL BUTT-WELDING PIPE FITTINGS FOR ORDINARY USE AND



STEEL BUTT-WELDING PIPE FITTINGS AND STEEL PLATE BUTT-WELDING

A : In the Case Where t is 22.4mm or Less



Where. $t \leq 22.4\text{mm}$

A : In the Case Where t is Over 22.4mm

