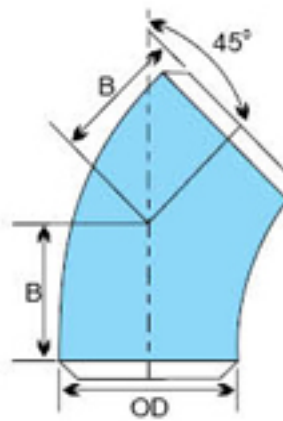
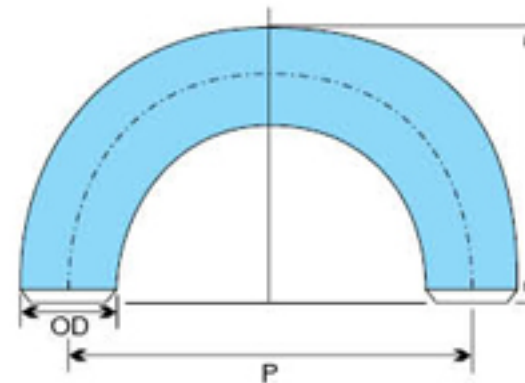


90°ELBOW



45°ELBOW



180° ELBOW

KS B1522/B1541/B1543, JIS B2311/B2312/B2313

Nominal Pipe Size		Outside Diameter	Center To End		Center To End		End		
			90° Elbow (A)		45° Elbow (B)	180° Elbow (P)		180° Elbow (K)	
A	B	OD	Long	Short	Long	Long	Short	Long	Short
15	1/2	21.7	38.1		15.8	76.2		49.0	
20	3/4	27.2	38.1		15.8	76.2		51.7	
25	1	34.0	38.1	25.4	15.8	76.2	50.8	55.1	42.4
32	1 1/4	42.7	47.6	31.8	19.7	95.2	63.6	69.0	53.2
40	1 1/2	48.6	57.2	38.1	23.7	114.4	76.2	81.5	62.4
50	2	60.5	76.2	50.8	31.6	152.4	101.6	106.5	81.1
65	2 1/2	76.3	95.3	63.5	39.5	190.6	127.0	133.5	101.7
80	3	89.1	114.3	76.2	47.3	228.6	152.4	158.9	120.8
90	3 1/2	101.6	133.4	88.9	55.3	266.8	177.8	184.2	139.7
100	4	114.3	152.4	101.6	63.1	304.8	203.2	209.6	158.8
125	5	139.8	190.5	127.0	78.9	381.0	254.0	260.4	196.9
150	6	165.2	228.6	152.4	94.7	457.2	304.8	311.2	235.0
200	8	216.3	304.8	203.2	126.3	609.6	406.4	413.0	311.4
250	10	267.4	381.0	254.0	157.8	762.0	508.0	514.7	387.7
300	12	318.5	457.2	304.8	189.4	914.4	609.6	616.5	464.1
350	14	355.6	533.4	355.6	220.9	1066.8	711.2	711.2	533.4
400	16	406.4	609.6	406.4	252.5	1219.2	812.8	812.8	609.6
450	18	457.2	685.8	457.2	284.1				
500	20	508.0	762.0	508.0	315.6				
550	22	558.8	838.2	558.8	347.2				
600	24	609.6	914.4	609.6	378.7				
650	26	660.4	990.6	660.4	410.3				
700	28	711.2	1066.8	711.2	441.9				

