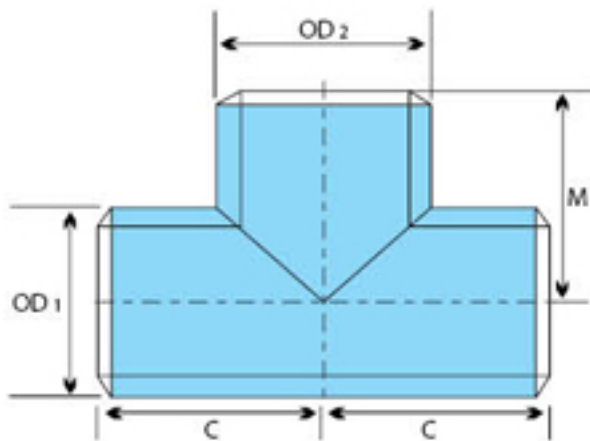
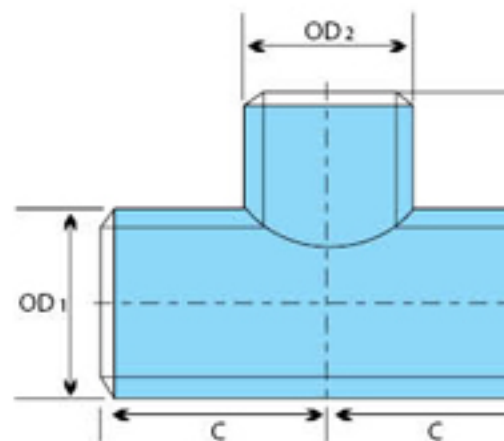




# Tee



STRAIGHT



REDUCING

KS B1522/B1541/B1543, JIS B2311/B2312/B2313

Nominal Pipe Size						Outside Diameter		
A			B			OD <sub>1</sub>	OD <sub>2</sub>	
700	700	700	28	28	28	711.2	711.2	
		650			26			660.4
		600			24			609.6
		550			22			558.8
750	750	750	30	30	30	762.0	762.0	
		700			28			711.2
		650			26			660.4
		600			24			609.6
800	800	800	32	32	32	812.8	812.8	
		750			30			762.0
		700			28			711.2
		650			26			660.4
850	850	850	34	34	34	863.6	863.6	
		800			32			812.8
		750			30			762.0
		700			28			711.2
900	900	900	36	36	36	914.4	914.4	
		850			34			863.6
		800			32			812.8
		750			30			762.0
950	950	950	38	38	38	965.2	965.2	
		900			36			914.4
		850			34			863.6
		800			32			812.8
1000	1000	1000	40	40	40	1016.0	1016.0	
		950			38			965.2
		900			36			914.4
		850			34			863.6
1050	1050	1050	42	42	42	1066.8	1066.8	
		1000			40			1016.0
		950			38			965.2
		900			36			914.4

1 0 0 | 0 0 2 0 0 | 0 0 3